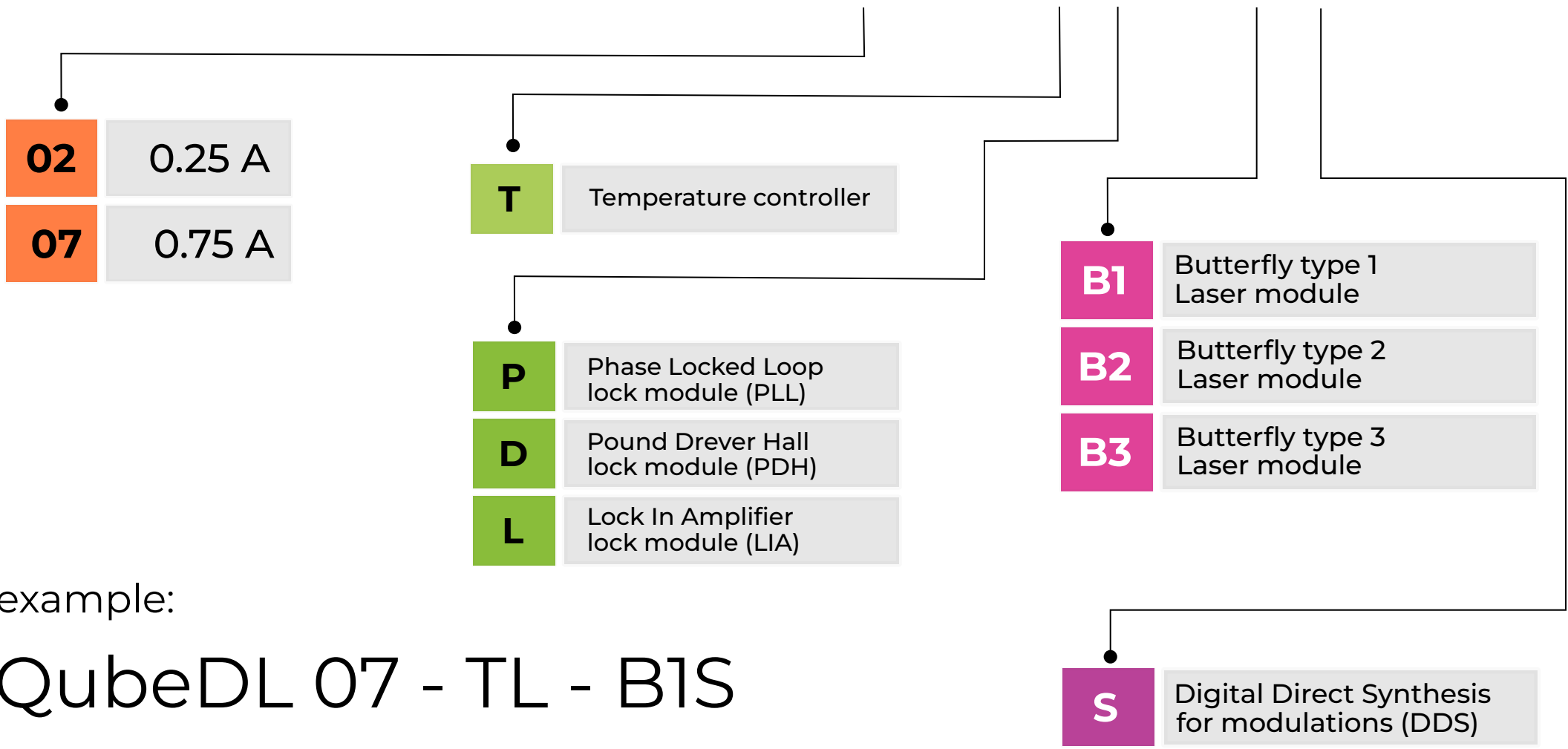


QubeDL - -



example:

QubeDL 07 - TL - B1S

- Max current 0.75A
- Temperature controller
- LIA lock module
- Butterfly type 1 module
- DDS for modulations